

Aerolet® toiletlift

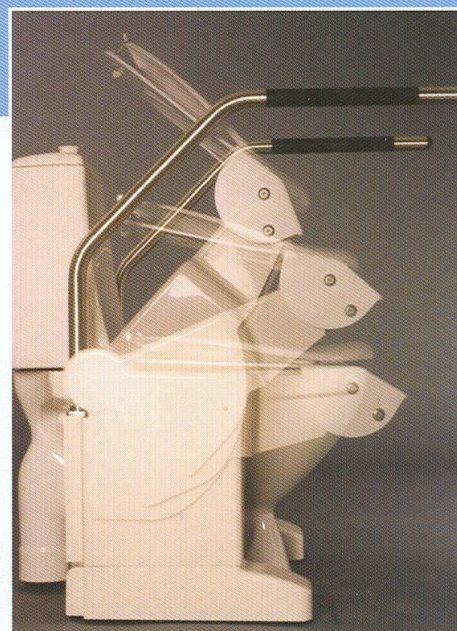
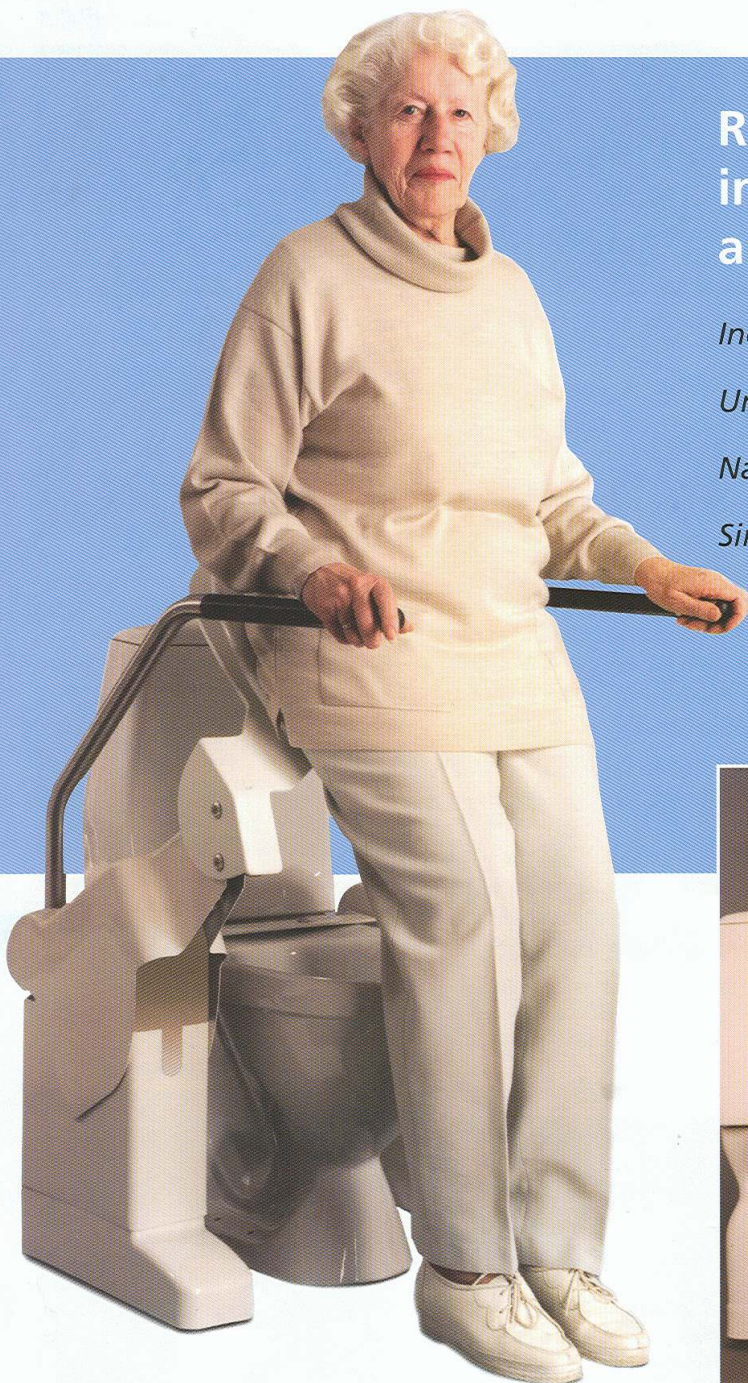
Raising the standard
in bathroom safety
and independence

Independence

Unique concept

Natural 'stand-up' motion

Simple installation



*The Aerolet toiletlift gently raises and
lowers replicating the natural motion
of standing up*

Aerolet® toiletlift

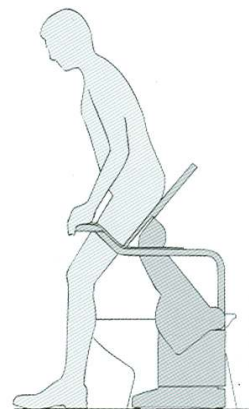
Natural 'stand-up' motion



Lowest position - the normal seat height



Highest position - for short leg length



Highest position - for long leg length

Independence

This easy-to-use, ergonomically designed bathroom aid offers users independence, privacy and dignity and is an essential tool in the care of the fragile, elderly and the mobility impaired.

As the electronically controlled Aerolet toiletlift gently raises and lowers, the user remains fully seated, supported and in control at all times ensuring safe, comfortable personal hygiene management.

The Aerolet toiletlift can be specified for single-use domestic situations or multi-user nursing homes or hospitals.

The Aerolet toiletlift from Economic Holland is **the** ergonomic toilet-aid designed to facilitate independent toilet use for anyone with a 25% remainder capacity of muscular strength.

Adaptability

An important advantage of all Aerolet toiletlift models is the instantaneous ability to adapt to the user's specific height and weight. This feature applies to multiple users.

The Aerolet toiletlift is adjustable to leg length and the level of trunk stability. Other valid users are not inconvenienced using any model of Aerolet toiletlift.

Optimum Movement

Based on the natural motion of standing up, the Aerolet toiletlift offers ideal support by moving the trunk forward and locating the centre of gravity above the feet. As the knee and hip joint stretch synchronously, the user maintains constant contact with the floor and a stable seated position.

Advantages

- the user is gently lowered to the normal sitting position for toilet use
- the contoured seat cradles the buttocks to promote a feeling of security
- the ergonomically designed seat correctly positions the user, promoting elimination
- after toilet use, the toiletlift rises enabling access to the perineal area for cleaning without assistance
- the toiletlift easily adjusts to custom fit an individual user's height
- the possibility of accidental injuries caused by caregivers pulling and tugging the user is minimised
- caregiver injuries are decreased or eliminated
- provides independence, maintains dignity and self-esteem
- fast and easy installation in existing bathrooms
- easy to use electronic controls



Aerolet® toiletlift

Standard (ST)

- fits most existing bathrooms (wide: 67.5 cm – height from: 37 cm)
- can be adjusted to fit higher bowls (40 cm up to 50 cm)
- can be adjusted to fit hanging bowls (minimum height: 37 cm)
- can be supplied with different types of toilet seats (see accessory list)
- all Aerolet toiletlift models can be fitted with optional foldaway arm supports for easier patient transfer
- all Aerolet toiletlift models are rated to support 180 KG. According to TÜV-standard: 125 KG.

Bidet (BI)

- the toiletlift can be supplied in combination with different types of bidets or can be installed on existing bidet systems
- ideal for individuals with restricted arm or hand function who may have difficulty cleaning after defecation
- the bidet cleans the user by washing with warm water and an automatic air drying function. These bidets are adapted to the Aerolet toiletlift frame and move up and down during the natural stand up motion.

Geberit - ShowerWC 7000 / 8000 (GE) – www.geberit.nl

- the toiletlift in combination with the Geberit ShowerWC (standing and/or hanging models) is **the** ideal solution for optimum independence, hygiene and privacy for the user
- the Geberit cleans with a soft, body temperature water stream and pleasantly dries with a stream of warm air
- please note, to accommodate the toiletlift the Geberit must be equipped with the Geberit hand control device as the toiletlift obscures the normal control panel.

Closomat - ShowerWC (CL)

- the toiletlift in combination with the Closomat (models Samoa and Rio) is the ideal solution for optimum independence, hygiene and privacy
- cleaning and drying initiate from the bowl within the integrated bidet system with the advantage that it remains stationary during the standing up motion
- the toiletlift is installed above the Closomat ShowerWC (existing or new).

Shower (SH)

- the showerlift offers ideal support during showering for safe sitting and standing up
- the showerlift (24V) is powered by an external 230 Volt (or your domestic voltage) control box, which must be situated outside the shower room
- the compact showerlift (only 54 cm wide) fits perfectly in any shower room
- is equipped with a soft anti-slip shower seat
- can be supplied with foldaway arm supports for easier transfer (option).

Small (SM)

- fits every existing bathrooms the toiletlift (wide: 61.5 cm – height: 40 cm)
- can be adjusted to hanging (min. 37 cm) and higher bowls (40 cm up to 50 cm)
- can be supplied with different types of toilet seats (see accessory list)
- can be supplied with foldaway arm supports for easier transfer (option).

Models



Model Standard (ST) hanging



Model Standard (ST) standing



Model Bidet (BI)



Model (GE) 8000



Model (GE) 7000



Model Closomat (CL)



Model Shower (SH)



Model Small (SM)

Aerolet® toiletlift

Mobile (MO)

- the mobile toiletlift is an ideal additional amenity for handicapped visitors in hospital, nursing facilities and hotels/resorts
- no need for renovations to smaller bathrooms to provide access for large lifting/hoist devices
- quick, easy installation allows flexibility in room assignments and short-term use
- easily moved from ward to ward, or with the patient as required.

Automatic (AU)

- automatically adjusts for different leg lengths to ensure the feet make correct contact with the floor
- individual users program the correct lift adjustment themselves
- an ideal additional amenity for handicapped visitors to hospitals, nursing facilities and hotels/resorts.

24Volt (24V)

- for use in bathrooms where a power point is not available or cannot be installed
- the 24V toiletlift is supplied with two batteries and one charger (230V)
- re-charging is undertaken at a convenient power point outside the bathroom
- with a fully charged battery the toiletlift can be used 30-35 times with a maximum load of 125 KG
- this option (24Volt) can be adapted to each Aerolet toiletlift model

Non-Contact (NC)

- the toiletlift has an open front frame and is supplied with a "non-contact" seat
- better access to perineal area decreases nosocomial skin breakdown caused by poor cleansing
- the open front allows use of a hand held showerhead for cleansing
- the "non-contact" seat is also available with a soft full foam.

Bariatric (BA)

- offers perfect support for bariatric users
- maximum lift capacity of 300 KGs (660 Lbs)
- supplied with an ergonomic seat specifically designed for heavy users

SaniBroyeur (SA)

- for use when the toilet cannot be connected to a sewerage system
- the pump/macerator of the SaniBroyeur pumps away the waste through a thin tube to any outlet pipe.
- the pump/macerator is an unobtrusive size and can be installed without renovation
- many SaniBroyeur models can be combined with the Aerolet toiletlift.

Vertical (VE)

- the toiletlift will be applied for a vertical stand-up motion
- for users with none or very limited flexion in hips and/or knees
- fits most existing bathrooms (wide 69 cm)
- maximum height-adjustment until 95 cm.

Models



Model Mobile (MO) detail



Model Mobile (MO)



Model Automatic (AU) detail



Model Automatic (AU)



Model 24Volt (24V)



Model Non-Contact (NC)



Model Bariatric (BA)



Model Vertical (VE)

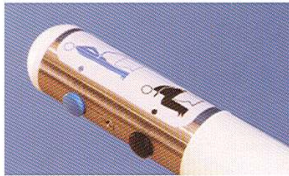


Model SaniBroyeur (SA)

Aerolet® toiletlift

Control

Toiletlift control



Control buttons (up/down) can be mounted on the left or right side arm supports.

Showerlift control



The watertight control buttons (up/down) can be mounted on the left or right side arm supports

Separate hand control



This control is necessary if the Aerolet is used without arm support(s) or if the user has limited hand and/or finger function available. The hand control can also be used in combination with the standard control buttons.

Air pressure control



This control can also be used in combination with the standard buttons and/or the separate hand control. For those unable to manage the buttons, or requiring both hands for support, this air pressure control (blow and suck) permits complete hands free operation.

Accessories

Non-skid toilet seat



The seat is especially convenient for those with weak muscles or diminished control over the lower torso. The warm, soft surface guarantees sitting comfort and prevents "wear-out" (decubitus).

Soft toilet seat



This soft seat is for those with weak muscles or diminished control of the lower torso. The warm, soft surface guarantees sitting comfort and prevents "wear-out" (decubitus).

Soft non-contact toilet seat



The soft toilet seat has an open front for access to the perineal area for cleansing with a hand shower.

Ergonomic toilet seat



This seat has a larger sitting surface and there are handholds on each side. The seat position provides the correct support for the relaxation of different thigh muscles, stimulates blood circulation and also prevents the skin from sticking. This seat is fitted as standard on the toiletlift 'Bariatric' model.

Non-contact toilet seat



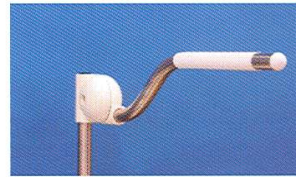
The toilet seat has an open front for access to the perineal area for cleansing with a hand shower.

Back and lumbar belt /girdle



Directly mounted to the toiletlift the back and lumbar belt provides total support during lifting. Especially suitable for those with stability or balance problems.

Foldaway arm supports



All toiletlift models can be fitted with foldaway, rather than fixed arm supports to enable easier patient transfers

Toilet paper holder



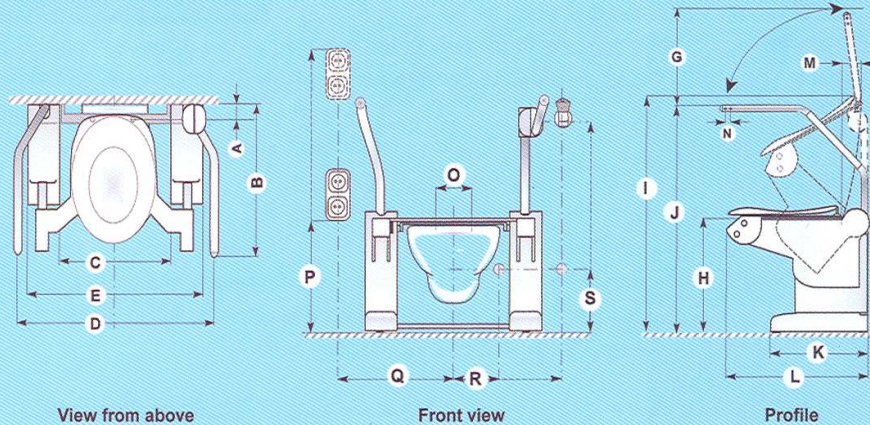
The toilet paper holder conveniently attaches to either the left or right side arm supports

Aerolet® toiletlift size specifications in cm

Size	Description	ST standard	SF bidet	GE-7000 geberit	GE-8000 geberit	CL closomat	DO shower	SM small	SB sani-broyeur	NC non-contact
A	Distance between wall and toilet seat mounting holes	9,5	11 / 17,5	-	-	-	-	9,5	9,5	9,5
B	Length arm supports	68	68	68	68	68	68	68	68	68
C	Distance between covers	42,5	42,5	50	45	52	-	36,5	42,5	42,5
D	Width arm supports (adjustable)	65 / 70	65 / 70	68 / 74	67 / 72	68 / 74	65 / 70	59 / 64	65 / 70	65 / 70
E	Width of toiletlift	67,5	67,5	76	70	77,5	54	61,5	67,5	67,5
G	Height fold-away arm supports	50	50	50	50	50	50	50	50	50
H	Height range (adjustable by adaptors)	39,5 / 50	39,5 / 50	39,5 / 50	39,5 / 50	39,5 / 50	43 / 53	39,5 / 50	39,5 / 50	39,5 / 50
I	Maximum toilet seat height when H=40 cm (adjustable)	100	100	100	100	100	103	100	100	100
J	Min. and max. heights arm support when H =40 cm and H= 50 cm	63 / 89 73 / 99	63 / 89 73 / 99	63 / 89 73 / 99	63 / 89 73 / 99	63 / 89 73 / 99	63 / 89 73 / 99	63 / 89 73 / 99	63 / 89 73 / 99	63 / 89 73 / 99
K	Length foot cover	40,5	40,5	40,5	40,5	40,5	40,5	40,5	40,5	40,5
L	Length frame lift	56	56	56	56	56	56	56	56	56
M	Maximum space difference	4,5	4,5	4,5	4,5	4,5	4,5	4,5	4,5	4,5
N	Distance control knobs	3,5	3,5	3,5	3,5	3,5	3,5	3,5	3,5	3,5
O	Distance between mounting bolt holes on toilet bowl (variable)	14,2 / 17,7	14,2 / 17,7	fixed size	fixed size	fixed size	to the wall	14,2 / 17,7	14,2 / 17,7	14,2 / 17,7
P	Minimum / maximum cable length	40 / 300	40 / 300	-	-	-	500	300	40 / 300	40 / 300
Q	Minimum distance power-point	45	45	-	-	-	-	42	45	45
R	Water tap ½ "	-	17 / 45	-	-	-	-	-	-	-
S	Height water tap ½ "	-	20 / 100	-	-	-	-	-	-	-
OPTIONS		● = possible ○ = not possible								
	Battery Back-up	●	●	●	●	●	●	●	●	●
	Automatic adjustment	●	●	●	●	●	○	●	●	●
	24 Volt	●	●	●	●	●	●	●	●	●
	Bariatric (300 Kg)	●	○	○	○	○	○	○	○	○
	Mobile	●	○	○	○	○	○	○	○	○
	Fold-away arm support L - R	●	●	●	●	●	●	●	●	●
H*	Lower range when bowl=min.37 cm	●	●	●	●	●	●	●	●	●

An Aerolet type Bariatric can NOT be equipped with an automatic adjustment

- Materials : Stainless steel
Cathodic electro
Rilsan coating
ABS covers
- Color : White
- Guarantee : 12 months
- Max. load : 180 Kg
125 Kg TÜV norm
- Power : 230 V - 50 Hz.
- Current : Max. 3 A
- Voltage : 120 VA



ECONOMIC HOLLAND

Frankfurtstraat 37
1175 RH LIJNDEN
Telefoon : 020-497 77 71
Telefax : 020-497 74 91
E-mail : info@economic-holland.nl
Internet : www.economic-holland.nl

Patient Care Systems



advice - service - sales